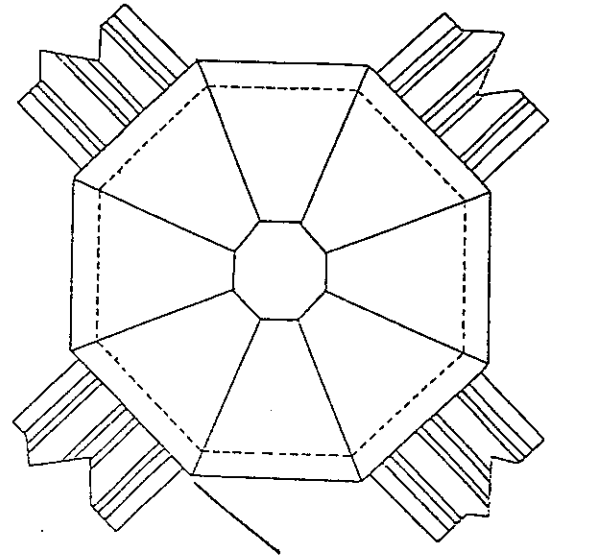
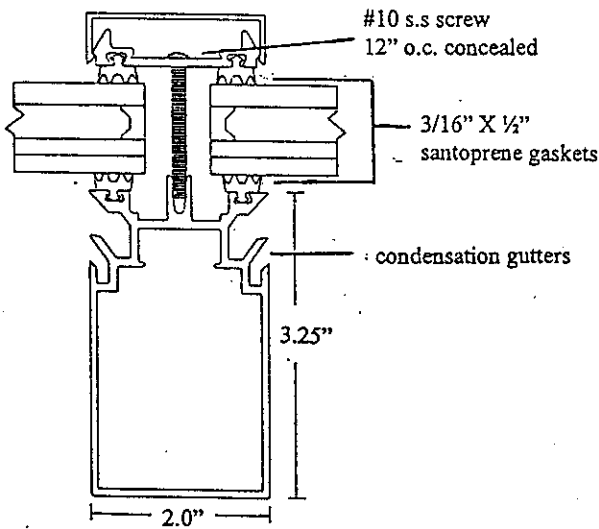


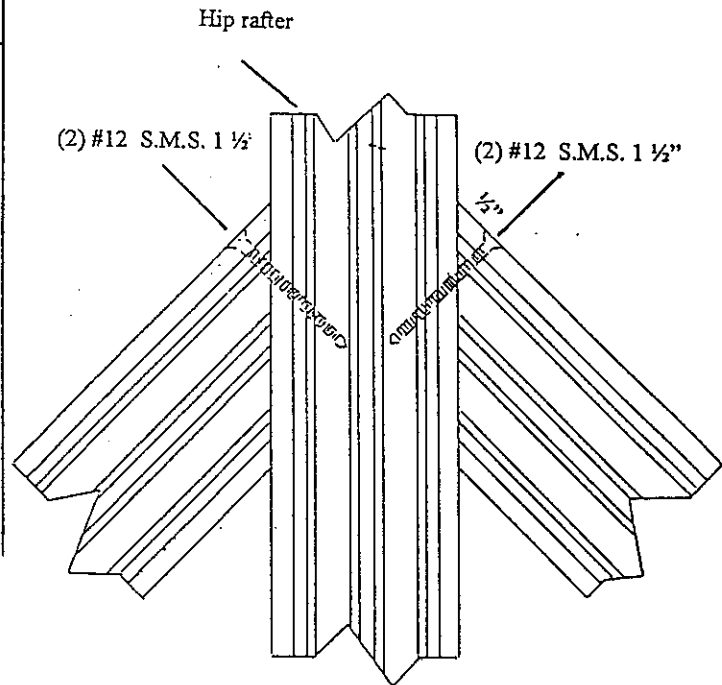
Sill Detail #A



Hub Compression Ring
Detail #B



Rafter Detail #C



Jack Rafter Detail #D

