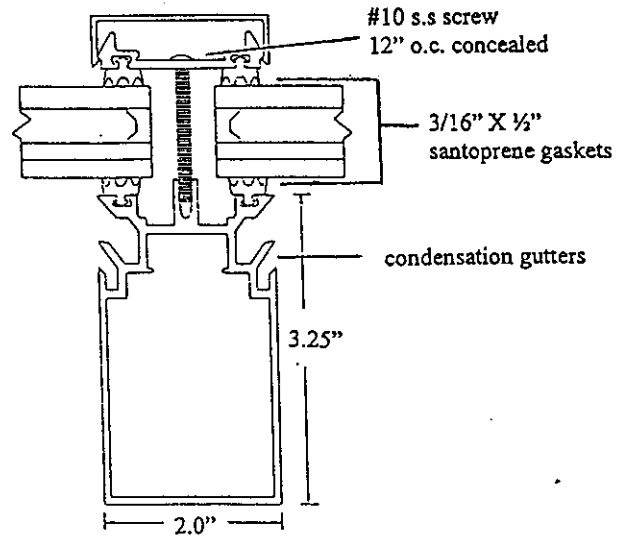
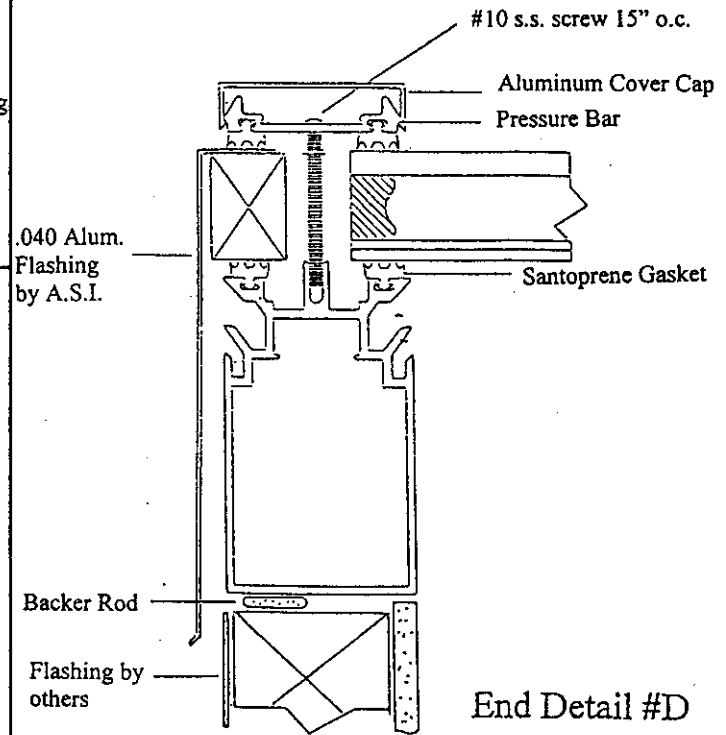


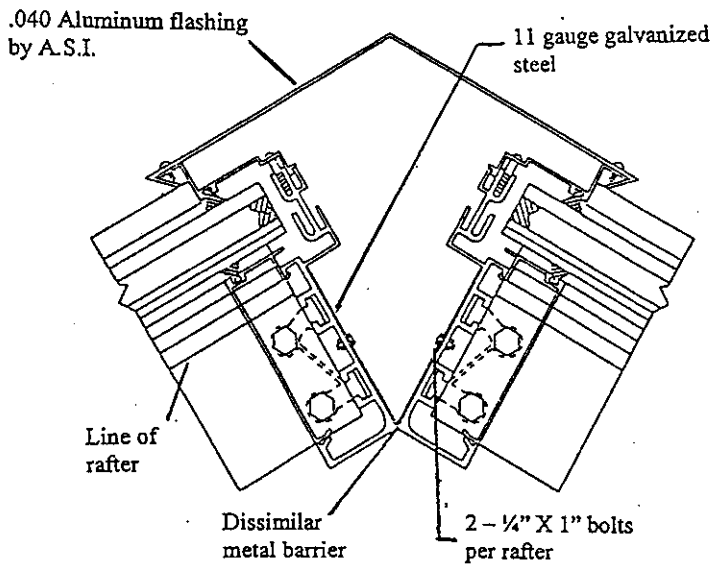
Head/Sill Detail #A



Rafter Detail #B



End Detail #D



Ridge Detail #C

