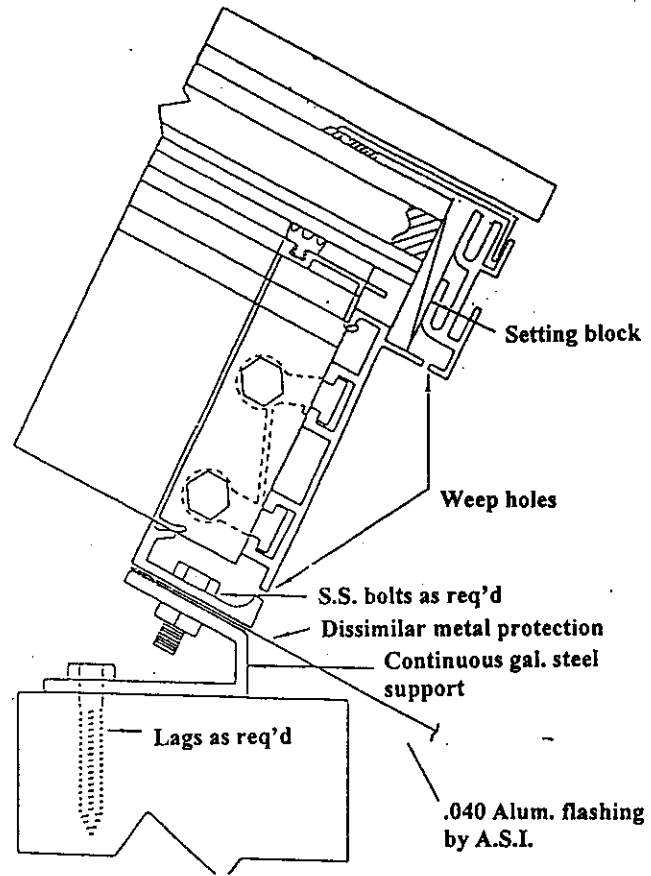
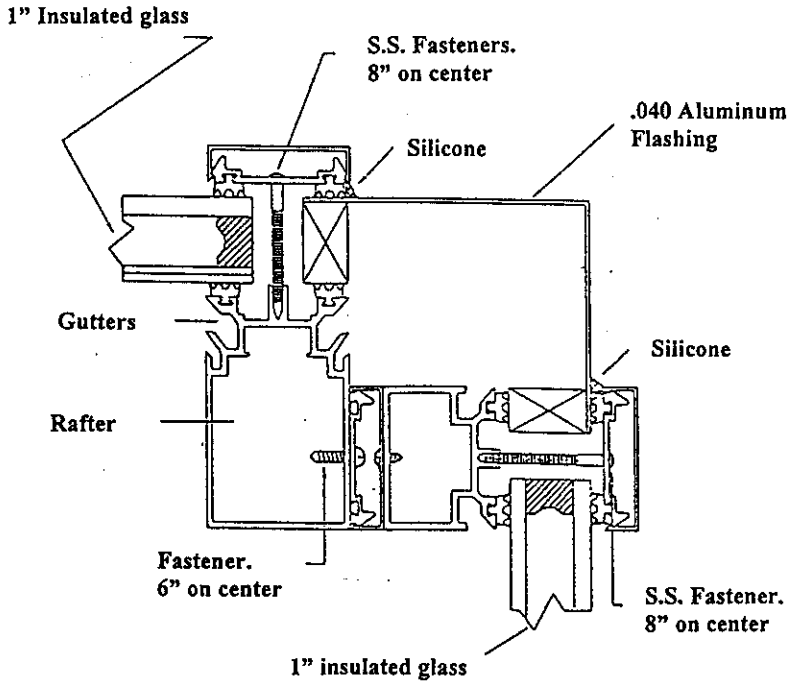


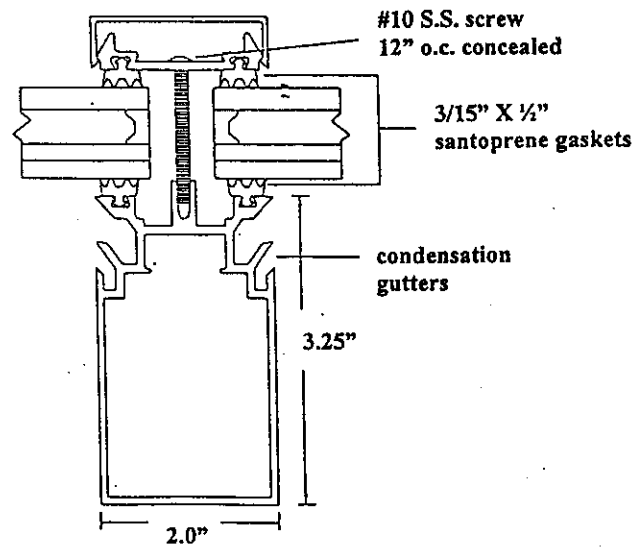
Ridge Detail #A



Detail at Sill #B



Corner Condition #C



Rafter Detail #D

