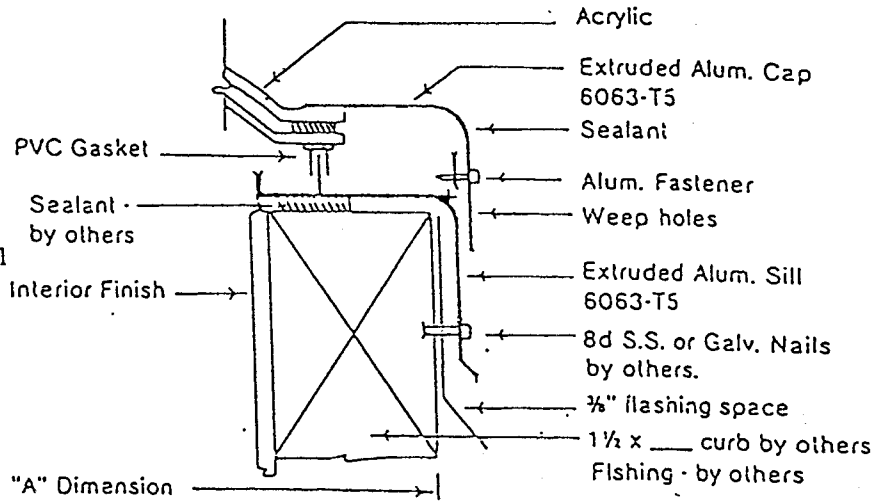
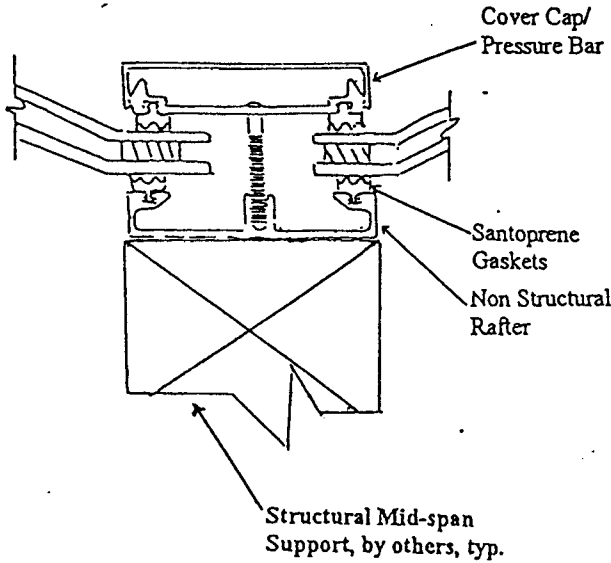


Non Structural Tandem Skylight

Mid-Span Support Required

Acrylic Dome



Safety Considerations:
While Architectural Specialties, Inc. skylights are designed to support the weight of snow, ice and the force of normal winds, they are not designed to withstand the weight of people. If human safety becomes a consideration, skylights should be protected by railing, grids or screens.

Specifications: Architectural Specialties, Inc. skylight frame and retainer cap shall be 6063-T5 extruded aluminum with minimum wall thickness of .070 inches. The skylight frame shall have an integral condensation gutter with exterior drip and drainage slots. All mitered corners to be welded by the heliarc process. Structural supports are required at all purlins by others. Minimum pitch must be 1:12.

Fill In			
Outside Curb Size "A"	Quantity	Outer Dome	Inner Dome

Indicate Finish _____

PROJECT _____

ADDRESS _____

CITY/STATE _____

CONTRACTOR _____

ARCHITECT _____

DATE .. _____