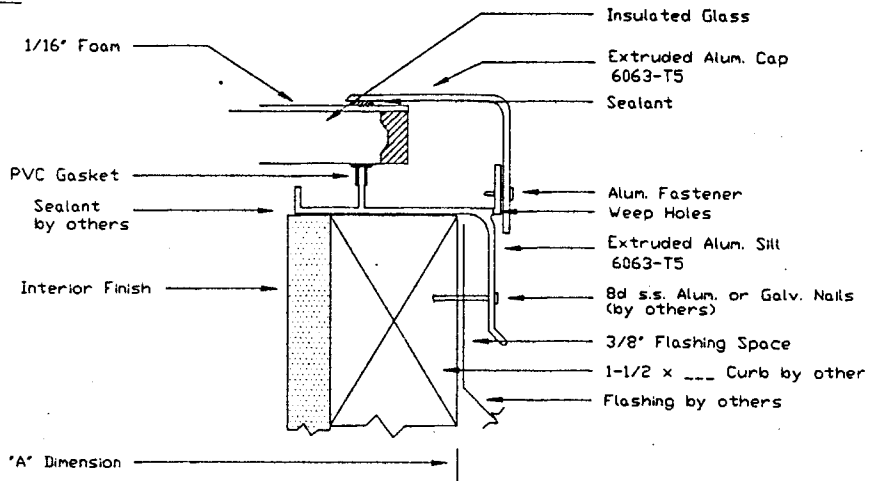


AI ARCHITECTURAL SPECIALTIES, INC.

GLASS STANDARD UNIT

SPECIFICATIONS: Architectural Specialties Inc., skylights frame and retainer cap shall be 6063-T5 extruded aluminum with minimum wall thickness of .070 inches. The skylight frame shall have an integral condensation gutter, exterior drip and drainage slots. All mitered corners are to be welded by the heliarc process. Available in single or dual glazed.



MODEL NUMBER	STANDARD SIZES
Double Glazed	Outside Curb Dimension-A
SQUARE	
GCM-2828	25 1/2 x 25 1/2
GCM-3636	33 1/2 x 33 1/2
GCM-4242	40 x 40
GCM-5252	49 1/2 x 49 1/2
GCM-6060	58 x 58
RECTANGULAR	
GCM-2842	25 1/2 x 40
GCM-2852	25 1/2 x 49 1/2
GCM-2868	25 1/2 x 65 1/2
GCM-2876	25 1/2 x 73 1/2
GCM-3652	33 1/2 x 49 1/2
GCM-4252	40 x 49 1/2
GCM-5276	49 1/2 x 73 1/2
GCM-52101	49 1/2 x 97 1/2

FILL IN			
Model No.	Quant.	Outer Lite	Inner Lite

STD. FINISH IS BRONZE

STANDARD GLASS	
Designation	Color
CL	Clear
BS	Solar Bronze

SAFETY CONSIDERATIONS: While Architectural Specialties, Inc. skylights are designed to support the weight of snow, ice and the force of normal winds, they are not designed to withstand the weight of people. If human safety becomes a consideration, skylights should be protected by railing, grids or screens.
NOTE: Double glazed skylights are subject to formation of condensation between domes. This may be objectionable when both domes are transparent.
Minimum recommended pitch is 2" in 12".

PROJECT _____

CONTRACTOR _____

ARCHITECT _____

REPRESENTATIVE _____

APPROVED BY _____

DATE _____ S# _____