



**ARCHITECTURAL
SPECIALTIES INC.**

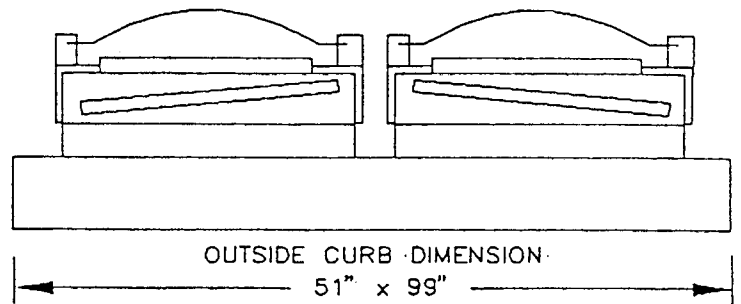
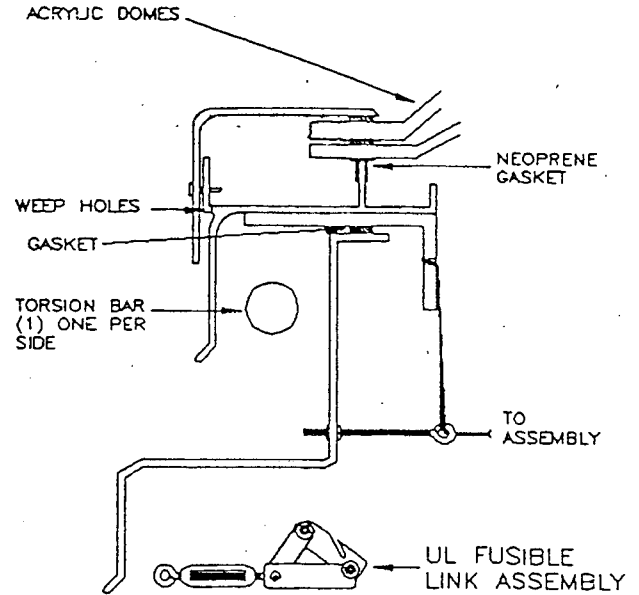
DOUBLE LID SMOKE VENT

STANDARD SIZES		
Qty	Model #	Outside Curb Dimension
	DLSV52101	51" X 99"
	DLSV5252	51" X 51"

SPECIFICATIONS: Architectural Specialties Inc., Smoke Vents shall be equipped with a UL fusible link designed to open at 165°F. The Smoke Vent shall be completely factory assembled ready for installation on a roof curb according to manufacturers recommendations. Acrylic dome lids shall be capable of opening against a 10 psf simulated snow or wind load. Domes will conform to AAMA 1601.1-1976 for a design load of 40 psf. All operating mechanisms shall be enclosed within the unit. The acrylic dome(s) are formed to a specified shape from a single sheet of clear, translucent or tinted type CC2 fire rated acrylic plastic. Skylight frame and retainer cap shall be 6063-T5 extruded aluminum with minimum wall thickness of .070 inches. The skylight frame shall have an integral condensation gutter and exterior weep holes. All mitered corners are to be welded by the heliarc process. Aluminum frame is mill finish.

SAFETY CONSIDERATIONS: While Architectural Specialties, Inc. skylights are designed to support the weight of snow, ice and the force of normal winds, they are not designed to withstand the weight of people. If human safety becomes a consideration, skylights should be protected by railing, grids or screens.

SPECIAL NOTES: Double glazed skylights are subject to formation of condensation between domes. This may be objectionable when both domes are transparent.
 *Minimum recommended curb pitch is 1/4": 12"
 **Units not to be used as openable skylights.
 *** Use stainless steel or aluminum fasteners.



CONTRACTOR: _____

JOB NAME: _____

ARCHITECT: _____

JOB ADDRESS: _____

APPROVED BY: _____

DATE: _____