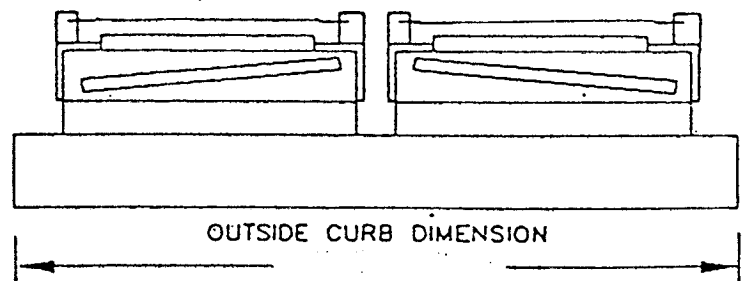
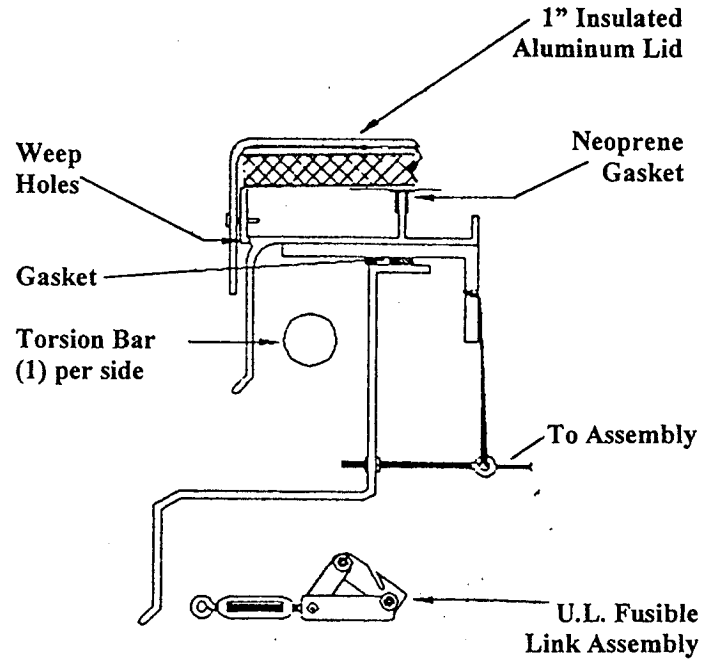




**ARCHITECTURAL
SPECIALTIES INC.**

**ALUMINUM LID
DOUBLE LID SMOKE VENT**

STANDARD SIZES		
Qty	Model #	Outside Curb Dimension
	DLSV52101	51" X 99"
	DLSV5252	51" X 51"
FILL IN		
Fusible Link °		Misc. Accessories
<p>SPECIFICATIONS: Architectural Specialties Inc., Smoke Vents shall be equipped with a UL fusible link designed to open at 165°F. The Smoke Vent shall be completely factory assembled and ready for installation on a roof curb (supplied by others) according to manufacturers recommendations. Aluminum lids shall be capable of opening against a 10 psf simulated snow or wind load. Aluminum cover and liner will be 5052 flat sheet aluminum bonded to 1" rigid insulation. All operating mechanisms shall be enclosed within the unit. Frame shall be 6063-T5 extruded aluminum with minimum wall thickness of .070 inches. The skylight frame shall have an integral condensation gutter and exterior weep holes. All mitered corners are to be welded by the heliarc process. Aluminum frame is mill finish.</p>		
<p>SAFETY CONSIDERATIONS: While Architectural Specialties, Inc. products are designed to support the weight of snow, ice and the force of normal winds, they are not designed to withstand the weight of people. If human safety becomes a consideration, skylights should be protected by railing, grids or screens.</p>		
<p>SPECIAL NOTES: *Min. recommended curb pitch is 1/4": 12" **Units not to be used as openable skylights. Warranty will be void if it is found that units were used as an openable. *** Use stainless steel or aluminum fasteners.</p>		



CONTRACTOR: _____

JOB NAME: _____

ARCHITECT: _____

JOB ADDRESS: _____

APPROVED BY: _____

DATE: _____