

**Architectural
Specialties, Inc.**

P.O. Box 22325
Portland, OR 97269

(503) 232-2966
FAX 232-4028

**SELF-FLASHING
STEEL ROOF HATCH
CURB MOUNT**

SPECIFICATIONS: Furnish roof access hatches model (specify) as manufactured by ARCHITECTURAL SPECIALTIES, INC. unit shall withstand 40 pounds per square foot live load.

The unit is to be constructed of steel. Door and curb base corners shall be mitered and fully welded and equipped with integral metal cap flashing for weather-tight installation. Door shall be equipped with 1" insulation between panel and liner and a neoprene gasket seal. Curb base insulation shall be 1" rigid insulative polyisocyanurate foam.

Unit shall be equipped with inside locking handle and pad lock hasp, and a compression-operated shock absorbing cylinder. All hardware shall be plated. Factory finish shall be red oxide primed. Installation shall be in accordance with manufacturer's instructions.

CURB BASE

- 14 gauge steel with integral metal cap flashing
- 3" nail flange to secure to roof deck
- 1" rigid insulative polyisocyanurate foam surrounding base

LID

- 14 gauge galvanized steel single leaf with 1" thick insulation between steel door panel and steel liner

DOOR SEAL

- Neoprene gasket

HINGES

- Non-corrosive 3" pintle hinges with non-removable pins

LINKAGE

- 10 gauge steel locking stop arm for opening and closing lid with red vinyl grip handle

HANDLE

- Tapered, interior and exterior turn handle with interior padlock hasp (padlock by others)

COMPRESSION ROD

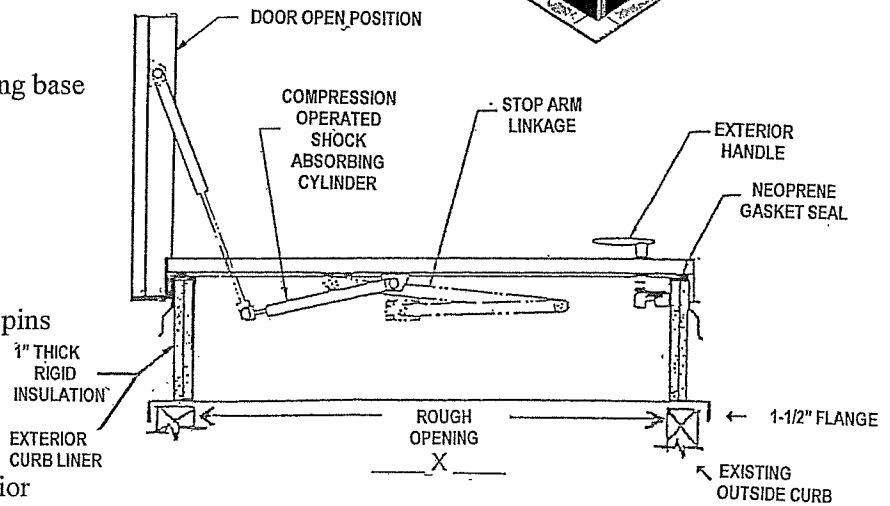
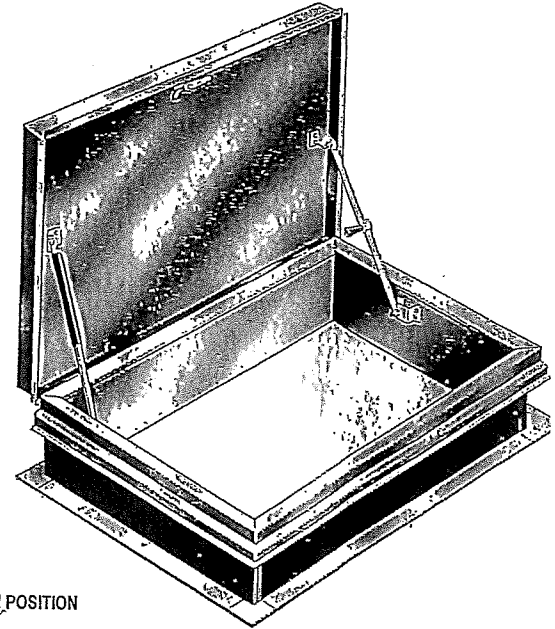
- Compression operated, shock absorbing cylinder

FINISH

- SRH Models – Red oxide prime coat
- Other coatings available at additional cost.

ROUGH OPENING

- 2'6" X 3'0", 2'6" X 4'6", 2'6" X 8'0", 3'0" X 3'0"
- 3'0" X 4'0", 4'0" X 4'0"
- Custom sizes available upon request.



FILL IN	
QUANTITY	SIZE (W X L = Rough Opening)

Fill in hinge side: _____

Contractor:	Project Name:
Architect:	Project Address:
Distributor:	City / State: