

COMPANY: _____

ATTN: _____

PHONE: _____

FAX: _____

EMAIL: _____



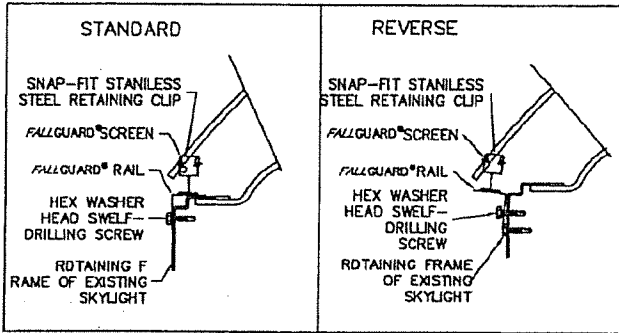
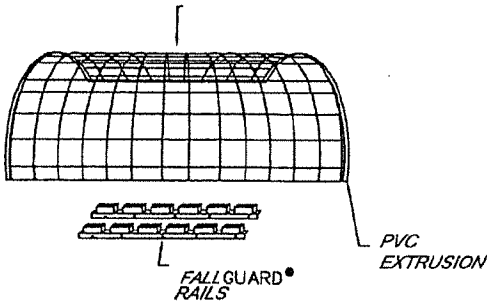
FALL GUARD[®] SKYLIGHT SCREEN

DATA SHEET
FGA-WS

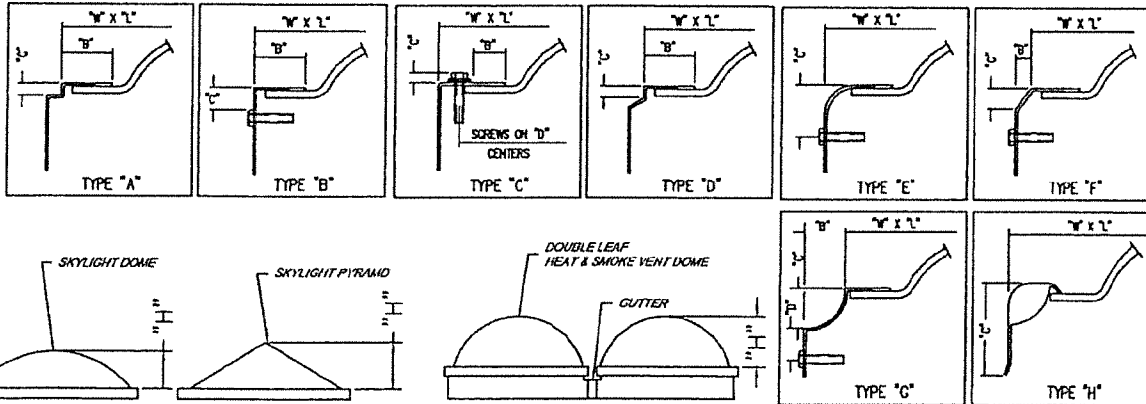
WORKFILE: FGAWS-01

FALL GUARD[®] SKYLIGHT SCREEN PATENT No. 5,237,788

3" X 4" WELDED WIRE MESH FALL GUARD[®] SKYLIGHT SCREEN
HOT DIPPED GALVANIZED AFTER WEDING



SHOWN BELOW ARE SOME TYPICAL RETAINING FRAME PROFILES. UPON RECEIPT OF THE QUANTITY AND DIMENSIONS OF THE CLAMP, PLASTEKO, INC. CAN READILY SUBMIT A QUOTATION.



PLEASE ADVISE WHETHER FALL GUARD[®] SKYLIGHT SCREEN IS TO BE INSTALLED WITH SMOKE VENT OPEN OR CLOSED.

RETAINING FRAME TYPES

RETAINING FRAME TYPE	DIMENSION "W" X "L"	DIMENSION "B"	DIMENSION "C"	DIMENSION "D"	DIMENSION "H"	QTY

SPECIFICATIONS:

SKYLIGHT SCREENS SHALL BE MODEL A-SM1 FALL GUARD[®] SKYLIGHT SCREENS.
FALL GUARD[®] SKYLIGHT SCREENS RAIL SHALL BE FASTENED TO THE VERTICAL LEG OF THE RETAINING FRAME OF THE SKYLIGHT TO BE RETROFITTED WITH GALVANIZED #12 HEX WASHER HEAD SELF-DRILLING SCREW. THE FALL GUARD[®] SKYLIGHT SCREEN SHALL BE 3" X 4" WELDED STEEL WIRE MESH HAVING A MINIMUM TRANSVERSE (OR IN THE CASE OF A SQUARE SKYLIGHT THE CURVED WIRE) DIAMETER OF 19S. THE SCREEN SHALL BE HOT DIPPED GALVANIZED TO MEET A S T M A123 SPECIFICATIONS. THE FALL GUARD[®] RAILS SHALL BE 6061-T6 EXTRUDED ALUMINUM WITH 2" WIDE NOTCHES ON 4" CENTERS. AFTER THE FALL GUARD[®] SKYLIGHT SCREEN IS IN INSTALLED, A SERIES OF 2" WIDEN BY 1/2" TALL SCUPPERS ARE CREATED. WHERE THE FALL GUARD[®] SKYLIGHT SCREEN IS LONGER THAN THE FALL GUARD[®] RAIL, A CONTINUOUS 1/2" OPENING IS CREATED. THE EXPOSED ENDS OF THE FALL GUARD[®] SKYLIGHT, SCREEN SHALL BE COVERED WITH A OUTDOOR PVC EXTRUSION.

INSTALLATION INSTRUCTIONS:

SKYLIGHT CAN BE BRITTLE. DO NOT TOUCH DOME. WEAR GLOVES WHEN HANDLING SCREEN. WEAR SAFETY GLASSES WHEN INSTALLING FALL GUARD[®] RAIL.

1. CENTER FALL GUARD[®] RAIL ON THE RETAINING FRAME
2. SECURE THE FALL GUARD[®] RAIL WITH SELF-DRILLING SPECIALLESS STEEL HEX WASHER HEAD SCREWS TO THE RETAINING FRAME OF THE SKYLIGHT BEING RETROFITTED.
3. INSTALL FALL GUARD[®] SKYLIGHT SCREEN INTO THE FALL GUARD[®] RAIL OPENING.
4. INATALL STAINLESS STEEL CLIPS.