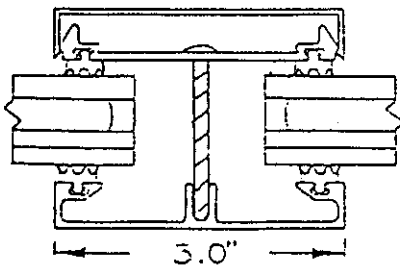
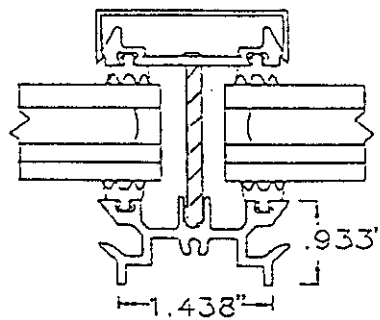


GLAZING BAR EXTRUSIONS

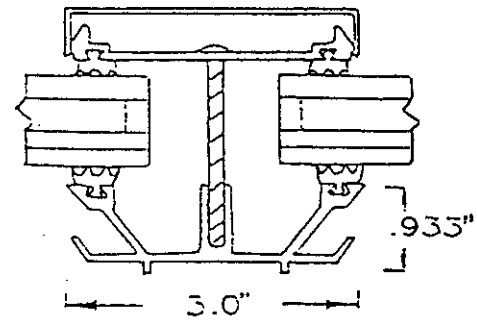
Series 104
Non-Structural



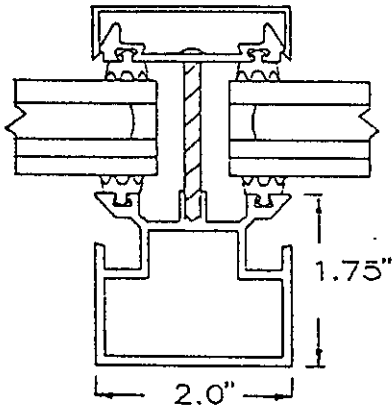
Series 25
Non-Structural



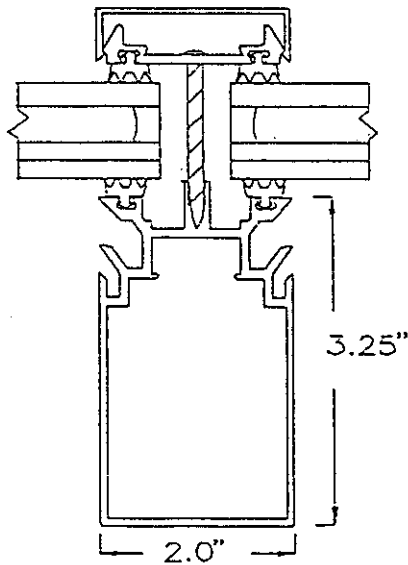
Series 30
Non-Structural



Series 35
Structural



Series 50
Structural



Series 75
Structural

