



WWW.ARCHSP.COM

Dome Skylight

Commercial Thermo Break Unit

DDTB Standard SPECIFICATIONS:

ARCHITECTURAL SPECIALTIES, INC. (ASI) Curb Mount Skylights shall withstand a design load of 25 psf. Options shown below, are available at additional cost.

GLAZING:

Skylight lens is to be a single or double layer dome shape. Double layers are separated with factory specified air space. Domes are formed from sheets of acrylic plastic, type CC2 and conforms to AAMA/WDMA/CSA 101/I.S. 2/A440-05 for 25 psf design load. Minimum recommended pitch is ¼" in 12"

NOTE: Acrylic is not recommended for residential applications. Double glazed units are subject to formation of condensation between domes and does not indicate a failed unit.

FRAME:

Skylight frame and retainer cap is 6063-T5 extruded aluminum with a minimum .070 wall thickness. The thermo break is a continuous rigid polyurethane barrier to help prevent condensation. The frame shall have an integral condensation gutter and drip/drainage weep slots. All corners are mitered and welded by the heliarc process. Factory Pre-drilled holes, for ease of fastening to customer supplied curb. Fasteners not included, see options.

FINISH

Exposed aluminum to be Clear Anodized finish on exposed surfaces.

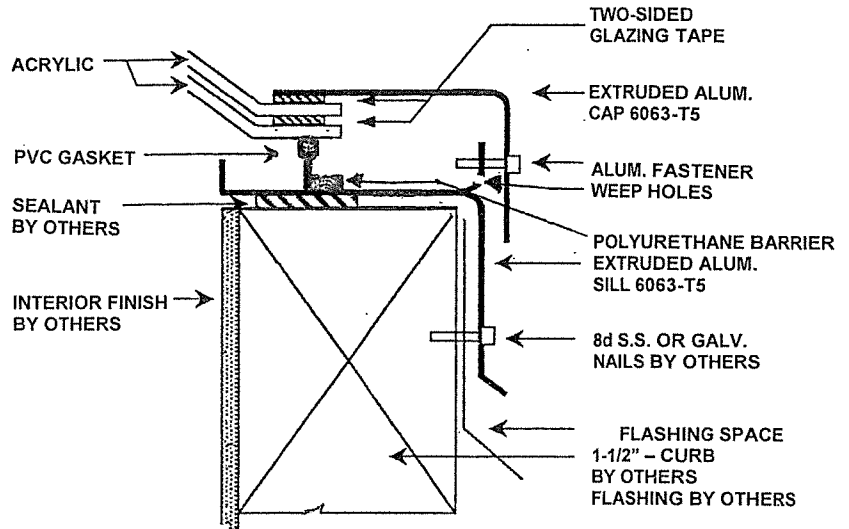
OPTIONS

| |
|---|
| CHECK HERE FOR OPTIONS (call for price): |
| <input type="checkbox"/> Fall Guards-OSHA compliant (under mount) |
| <input type="checkbox"/> Flashing Kit (Standard is for 2x6 curb by others). |
| <input type="checkbox"/> Curb Tape (available in 50' rolls). |
| <input type="checkbox"/> 1-1/2" Installation Fasteners. |

SAFETY

ASI skylights are designed to support the tested weight of snow, ice and the force of normal winds. They are not designed to withstand the weight of people. If human safety becomes a consideration, skylights should be protected by railing or screens. Call for quote if required.

ASI is a manufacturer located in Oregon State, U.S.A. since 1988. We are proud to source local materials and implement recycling standards whenever possible. Buy America and LEED qualification available. Let us exceed your expectations!



| FILL IN: | | | |
|--------------------------|---|-------------------------------|------------------|
| QTY | Outside Curb (add ½" overall for net frame size) | Outer Dome Color | Inner Dome Color |
| | | | |
| | | | |
| | | | |
| | | | |
| STANDARD GLAZING COLORS: | | | |
| CLR | CLR | Clear Colorless (Transparent) | |
| WHT | 2447 | White (Translucent) | |
| BRZ | 2412 | Solar Bronze (Transparent) | |

| | |
|--------------------|-------------------------|
| Contractor: | Project Name: |
| Architect: | Project Address: |
| Supplier: | City/State: |



CCB #59161